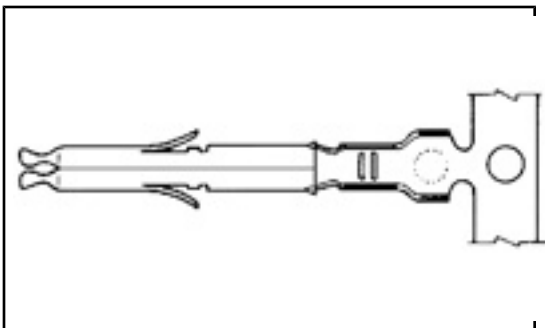


170366-1 Product Details



170366-1

TE Internal Number: 170366-1

 [Active](#)

.163" Centerline, 600 V, 9.5 A max.

 [Always EU RoHS/ELV Compliant \(Statement of Compliance\)](#)

Product Highlights:

- Contact
- Mini-Universal MATE-N-LOK
- Socket
- Packaging Method = Loose Piece
- Wire Range = 0.30-0.90² [22-18] mm [AWG], (2) 0.30-0.40² [(2) 22] mm [AWG]

[View all Features](#)

Documentation & Additional Information

Product Drawings:

- [MINI UNIVERSAL MATE-N-LOK SOCKET CONTACT LOOSE PIECE](#) (PDF, English)

Catalog Pages/Data Sheets:

- [REPRESENTATIVE TERMINALS AND CONNECTORS](#) (PDF, English)

Product Specifications:

- [Mini-Universal MATE-N-LOK Connector\(UL 94V-0 Grade\)](#) (PDF, English)
- [Mini-Universal MATE-N-LOK Connector\(UL 94V-2\)](#) (PDF, English)

Application Specifications:

- [Crimping of Mini-Universal MATE-N-LOK Contact](#) (PDF, English)
- [Crimping of Mini-Universal MATE-N-LOK Contact](#) (PDF, Japanese)

Instruction Sheets:

- [Mini-Universal MATE-N-LOK Connector](#) (PDF, English)

CAD Files:

- None Available

[List all Documents](#)

Additional Information:

- [Product Line Information](#)

Related Products:

- [Tooling](#)
- [Housings \(199\)](#)

Product Features (Please use the Product Drawing for all design activity)

Product Type Features:

- Product Type = Contact
- Connector Line = Mini-Universal MATE-N-LOK
- Gender = Socket
- Wire Insulation Diameter (mm [in]) = 1.50 – 2.40 [0.059 – 0.094], 3.38 [0.133]

Electrical Characteristics:

- Voltage (VAC) = 600
- Current Rating (Amps.) = 9.5

Termination Related Features:

- Solder Tail Contact Plating = Pre-Tin

Body Related Features:

- Wire Range (mm [AWG]) = 0.30-0.90² [22-18], (2) 0.30-0.40² [(2) 22]
- Contact Diameter (mm [in]) = 0.99 [0.039]
- Stock Thickness (mm [in]) = 0.25 [0.010]

Contact Related Features:

- Contact Base Material = Brass
- CompactPCI = No

Industry Standards:

- [RoHS/ELV Compliance](#) = RoHS compliant, ELV compliant
- [Lead Free Solder Processes](#) = Not relevant for lead free process
- RoHS/ELV Compliance History = Always was RoHS compliant

Packaging Related Features:

- Packaging Method = Loose Piece

Other:

- Brand = AMP